

INSTRUMENTATION & CONTROLS

HCTI Flowmeters

SERIES 4000 DUAL SCALE (GPM/LPM) FLOWMETERS

Available in flow ranges from 1GPM to 20 GPM



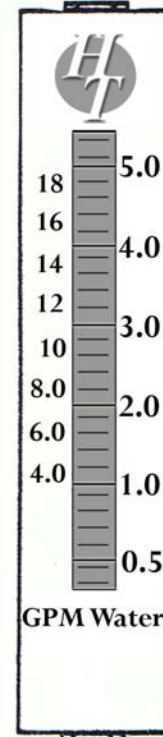
-4000 Series Flowmeter bodies are cut and precision CNC machined from solid, clear acrylic plastic blocks.

-Scales are easy to read - The 4" long front scale location and clear background provides excellent visibility. Mid-range calibration is established with a master Flowmeter.

-Durable and attractive construction - The machined acrylic bodies are practically unbreakable. The 4000 series is available with custom PVC Pipe connections and panel locknut for easy installation.

Meter Body:	Clear Acrylic plastic
Floats:	Type 316 Stainless Steel
Pipe Connections:	Gray PVC NSF
O-Rings:	Viton
Lock Nut:	PVC
Scale:	Permanent Silkscreen
Accuracy:	+/- 2% of full scale
Max. Pressures and Temperatures:	100 PSIG (690 k. Pa) @ 150°F (85°C) 150 PSIG (1034 k. Pa) @ 100F (38°C)

MODEL #	FLOW RATE	LIST PRICE
FM-4101-GPH	0-60 GPH	\$82.00
FM-4201	.2-2 GPM/ 1-10 LPM	\$82.00
FM-4501	.5-5 GPM/ 4-18 LPM	\$82.00
FM-41001	1-10 GPM/ 2-40 LPM	\$123.00
FM-42001	2-20 GPM/ 7-70 LPM	\$148.00

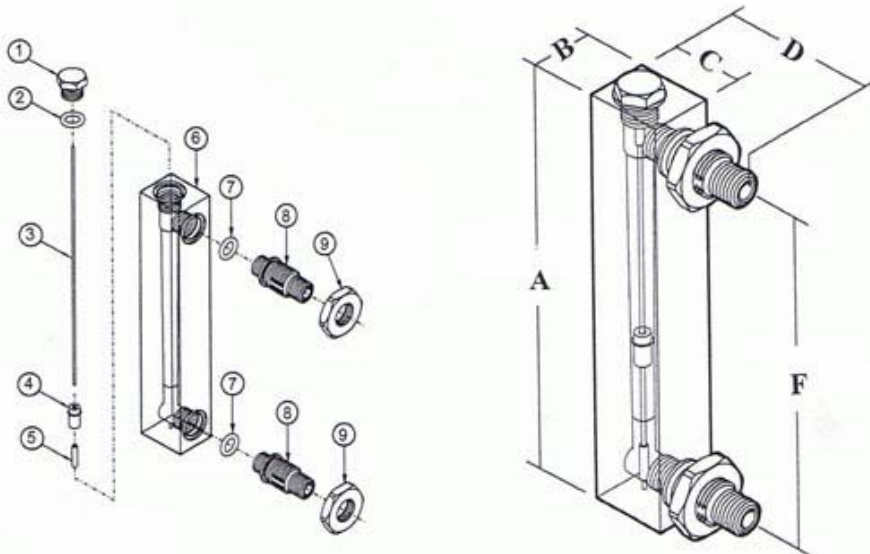


INSTRUMENTATION & CONTROLS

HCTI Flowmeters

SERIES 4000 DUAL SCALE (GPM/LPM) FLOWMETERS

DIM	DESCRIPTION	FM-4201	FM-4502	FM-41001	FM-42001	FM-4101
A	Block height	7.2 in.	7.2 in.	9.0 in.	10.75 in.	7.2 in.
B	Block width	1.4 in.	1.4 in.	1.4 in.	1.8 in.	1.4 in.
C	Block depth	1.4 in.	1.4 in.	1.8 in.	1.9 in.	1.4 in.
D	Total depth (including connections)	2.7 in.	2.7 in.	3.2 in.	3.8 in.	2.7 in.
E	Connection size	3/8" NPTF	.5 in. NPTF	.75 in. NPTF	1 in. NPTF	1/4" NPTF
F	Distance between ports	5.5 in.	5.5 in.	6.5 in.	8.0 in.	5.5 in.
G	Distance to bottom port	.8 in.	.8 in.	1.0 in.	1.0 in.	.8 in.



EXPLODED VIEW AND PARTS LIST

ITEM	DESCRIPTION	FM-4101	FM-4201	FM-4501	FM-41001	FM-42001
1	Top Plug	FM-4501-5	FM-4501-5	FM-4501-5	FM-41001-5	FM-42001-5
2	Top O-Ring	FM-4501-7	FM-4501-7	FM-4501-7	FM-41001-7	FM-42001-7
3	Float	FM-4101-2	FM-4201-2	FM-4501-2	FM-41001-2	FM-42001-2
4	Float Rod	FM-4501-3	FM-4501-3	FM-4501-3	FM-41001-3	FM-42001-3
5	Float Stop	FM-4501-6	FM-4501-6	FM-4501-6	FM-41001-6	FM-42001-6
6	Body	FM-4101-1	FM-4201-1	FM-4501-1	FM-41001-1	FM-42001-1
7	Port O-Ring	FM-4501-8	FM-4501-8	FM-4501-8	FM-41001-8	FM-42001-8
8	Fitting	FM-4501-4	FM-4501-4	FM-4501-4	FM-41001-4	FM-42001-4
9	Lock Nut	FM-4501-9	FM-4501-9	FM-4501-9	FM-41001-9	FM-42001-9