

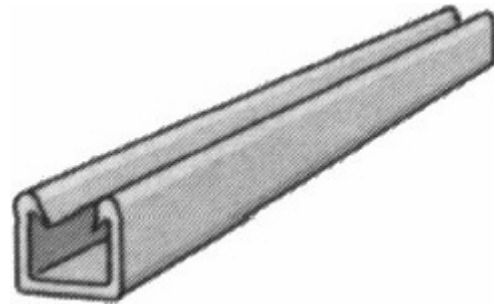
Hydrocomponents and Technologies, Inc.

VESSELS & ACCESSORIES

Power-strut channel and clamps

POWER-STRUT CHANNEL

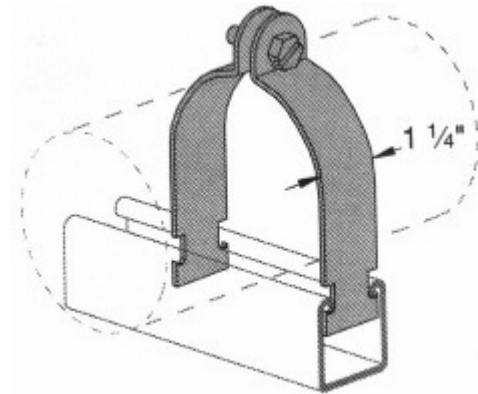
- Material: Steel
- Rail: $1\frac{3}{16}$ " x $1\frac{5}{8}$ " x 10"
- Price: \$4.60/ft, Minimum 10'



POWER-STRUT CLAMP

- Material: Galvanized Steel

MODEL	PRICE
2.0" Diameter PVC vessel	\$3.12
2.5" Diameter PVC vessel	\$4.08
4.0" Diameter PVC vessel	\$5.20
MODEL	PRICE
2 1/8" SS Vessel	\$6.40
2 5/8" SS Vessel	\$8.44
4 1/4" SS Vessel	\$8.92



POWER-WRAP

- Material: EPDM
- Stock Thickness: 1/8"
- Service Temperature: -70° to 350° F
- Price: \$4.00/FT
- Sold in 25' rolls

