

Stainless Steel U-Pin Pressure Vessels 300 PSI



Available in type 316SS or 304SS

Please specify at the time of the order

2000.3 Series
2500.3 Series
4000.1S Series

2.0" internal diameter.
2.5" internal diameter.
4.0" internal diameter.

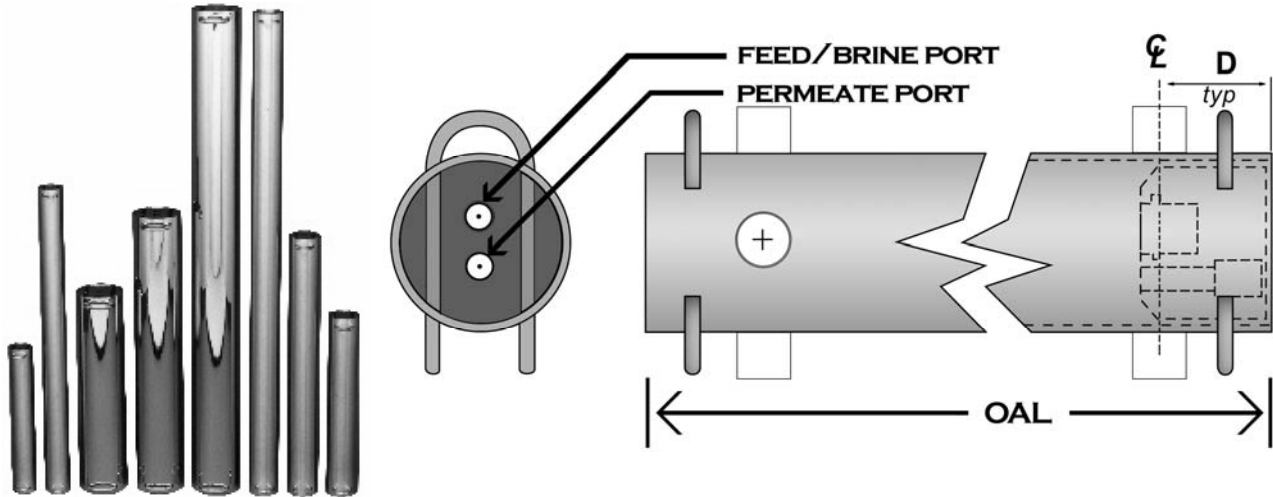
Features

- Durable corrosion resistant 304 or 316 Stainless Steel housing with standard satin finish.
- Self-locking 304 Stainless Steel U-Pin retaining devices for easy installation.
- Ethylene propylene FDA and NSF Approved "O" rings included.
- Flush mount easy aligning NSF Approved PVC end plugs make fitting installation effortless. Optional Acetal Co-polymer or 316 SS end cap materials are also available.
- Standard sizes include 14", 21", 40", and 80".
- Universal style models also manufactured to fit membrane of your choice.
- Maximum separation between permeate port and feed/concentrate port allow the use of large fittings.
- Other lengths available upon request.

Hydrocomponents and Technologies, Inc.

VESSELS & ACCESSORIES

Stainless Steel U-Pin Pressure Vessels 300 PSI



Vessel Series No.	NOMINAL		MODEL NUMBER	MEMBRANE SIZE	# OF MEM.	OAL IN.	PORT SIZES (NPT)			D
	ID	OD					FEED	BRINE	PERM.	
LARGER FEED AND BRINE PORTS AVAILABLE UPON REQUEST										
2000.3	2.0"	2.13"	2013.3	2.0"x13"	1	14.5	1/8	1/8	1/8	N/A
			2026.3	2.0"x26"	1	27.5	1/8	1/8	1/8	N/A
2500.3	2.5"	2.63"	2514.3	2.5"x14"	1	16.5	1/4	1/4	1/4	N/A
			2521.3	2.5"x21"	1	23.5	1/4	1/4	1/4	N/A
			2527.3	2.5"x27"	1	29.5	1/4	1/4	1/4	N/A
			2540.3	2.5"x40"	1	42.5	1/4	1/4	1/4	N/A
4000.1S	4.0"	4.19"	4014.1S	4.0"x14"	1	16.5	1/2	1/2	1/2	N/A
			4021.1S	4.0"x21"	1	23.5	1/2	1/2	1/2	N/A
			4040.1S	4.0"x40"	1	42.5	1/2	1/2	1/2	N/A
			*U4040.1S	4.0"x40"	1	46.5	1/2	1/2	1/2	N/A
			*U4040.1 S/SE	4.0"x40"	1	46.5	1	1	1/2	2.75"
			*U4080.1S	4.0"x40"	2	86.5	1/2	1/2	1/2	N/A
			*U4080.1 S/SE	4.0"x40"	2	86.5	1	1	1/2	2.75"
			*U40120.1S	4.0"x40"	3	126.5	1/2	1/2	1/2	N/A
			*U40120.1 S/SE	4.0"x40"	3	126.5	1	1	1/2	2.75"
			*U40160.1S	4.0"x40"	4	166.5	1/2	1/2	1/2	N/A
			*U40160.1 S/SE	4.0"x40"	4	166.5	1	1	1/2	2.75"
			*U40200.1S	4.0"x40"	5	206.5	1/2	1/2	1/2	N/A
*U40200.1 S/SE	4.0"x40"	5	206.5	1	1	1/2	2.75"			

SELECTION CHART

